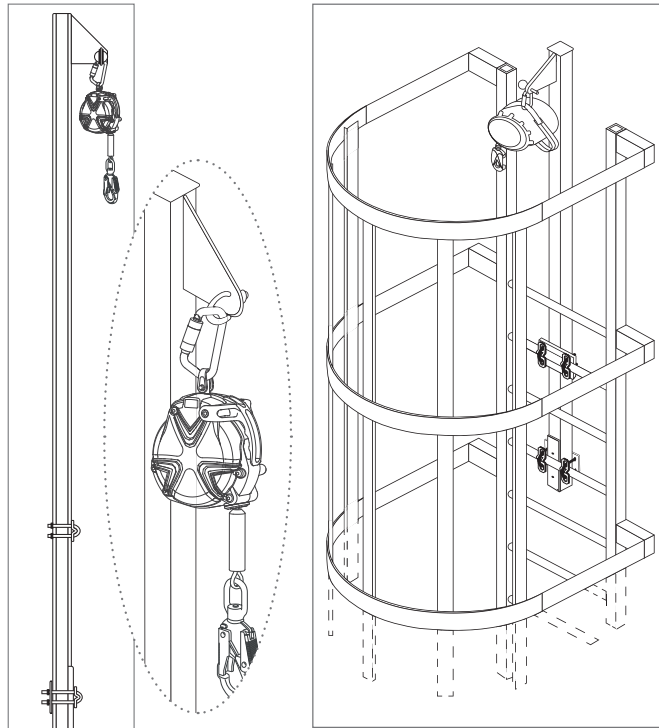


SRL Ladder Extension Post



Technical Datasheet

MSA's SRL Ladder Extension Post offers an easy-to-install solution when Fall Protection is necessary for climbing activities on fixed ladders with round, diamond, or square rungs. This system may also be a solution to meet OSHA's 1910.28 Walking/Working Surfaces standard.



Part No. 30177-00

SRL Ladder Extension Post

Static Strength

Extension post > 22.2 kN (vertical direction)

Quality control

- 100% Visual inspection
- X-ray inspection of all cast components
- Batch conformance testing for dynamic performance
- Batch conformance testing for static strength

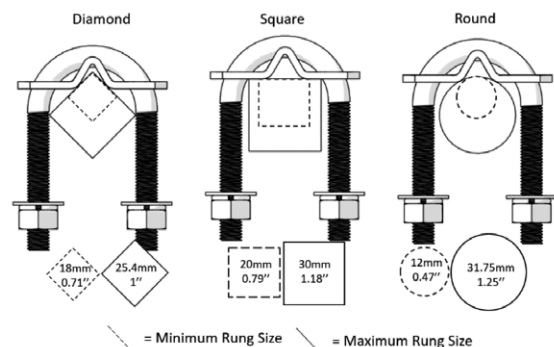
Approvals

OSHA

Parts List

Item	Description	Material
1	Ladder Extension Post	Galvanized mild steel
2	2x M10 U-Bolts (Short) w/Flat & Spring Washers, Nuts	A4 Stainless Steel
3	2x M10 U-Bolts (Long) w/Flat & Spring Washers, Nuts	A4 stainless steel
4	Bracket Adaptor	316s Stainless Steel
5	Clamp Plate	316s stainless steel
6	M12 X 40mm Hex Hd Bolt	A4 stainless steel
7	M12 Nut, Flat Washer, Spring Washer	A4 Stainless Steel
8	D-ring	316s stainless steel
9	M12 Single-point Anchorage Label	Aluminum
10	Grommet	Neoprene

Range of Rung Sizes



Notes

1. ANSI Z359.2, CSA Z259.17, and OSHA 1926 & 1910 state that anchorages shall be capable of withstanding at least 5,000 lb. (22.2 kN) for non-certified anchorages or at least two times the maximum arresting force for anchorages certified by a qualified person.
2. Recommended tightening torque for M10 U-bolt fixings — 20 Nm / 15 ft.-lb.
3. Recommended tightening torque for M12 D-ring fixings — 54 Nm/ 40 ft.-lb.
4. Post can be fitted centrally, or to the side of the ladder.

Note: This Bulletin contains only a general description of the products shown. While product uses and performance capabilities are generally described, the products shall not, under any circumstances, be used by untrained or unqualified individuals. The products shall not be used until the product instructions/user manual, which contains detailed information concerning the proper use and care of the products, including any warnings or cautions, have been thoroughly read and understood. Specifications are subject to change without prior notice. MSA is a registered trademark of MSA Technology, LLC in the US, Europe, and other Countries. For all other trademarks visit <https://us.msasafety.com/Trademarks>.

MSA operates in over 40 countries worldwide. To find an MSA office near you, please visit [MSAsafety.com/offices](https://www.msasafety.com/offices).